

High Performance Vacuum Insect Trap

Clean Eco Line **GX**mini

Instruction Manual

February 2021, First edition



To use the product safely and correctly, be sure to read this manual before using the product.
Be sure to keep this manual in a safe place for future reference.



IKARI SHODOKU CO., LTD.

Document control number
B-GXM01-0111WM

Introduction

Thank you for purchasing Clean Eco Line GXmini (hereafter referred to as “the product”). Before using the product, thoroughly read this Instruction Manual (hereafter referred to as “this manual”) and operate the product in a correct manner. In addition, keep this manual in an easily accessible place and be careful not to lose it.

Trademarks

This product is a registered trademark of IKARI SHODOKU CO., LTD. (hereafter referred to as “IKARI SHODOKU”).

Copyrights

The copyrights for this manual belong to IKARI SHODOKU or its licensor. The customer may not disclose these details to any third party without IKARI SHODOKU’s consent.

The customer may not use or make copies of this manual, in whole or in part, without receiving prior consent from IKARI SHODOKU. The customer is also prohibited from translating or modifying the content of this manual, in whole or in part.

Target readers

This manual has been prepared to help all intended users of the product. However, this manual does not describe the detailed procedures that require expertise, including communication testing and electrical work. Such procedures must be performed by qualified personnel after obtaining appropriate technical information from IKARI SHODOKU.

Attention

Please note that the contents of this manual are subject to change without advance notice.

The product is intended for exclusive use outside of Japan.

Although we take all possible measures to ensure that the descriptions in this manual are accurate, contact your local IKARI SHODOKU authorized dealer (hereafter referred to as local dealer), if you find any errors.



Comply with the administrative laws and regulations stipulated by the national or local government for disposal of the main unit and components of the product as well as consumables.

In case of lease or transfer of this product, attach this Instruction Manual to the product.

Notations in This Manual

Meaning of signal words

Failure to observe the descriptions in this manual may cause a physical risk to the human body or material damage. This manual describes such matters using signal words including “WARNING” and “CAUTION” as follows. Thoroughly read and understand the descriptions with these signal words in advance and comply with their details.

 WARNING	A “WARNING” item indicates a potentially hazardous situation that may result in serious injury or death to the operator.
 CAUTION	A “CAUTION” item indicates a potentially hazardous situation that may result in minor or moderate injury to the operator.
NOTICE	A “NOTICE” item indicates a situation that will not result in injury to the operator, but may result in damage to or cause malfunction of the product, facility, other devices, and so on.

Definition of “Serious injury”, “Moderate injury”, and “Minor injury”

“Serious injury”	Loss of eyesight, wounds, burns, electric shock, bone fracture, poisoning, and other injuries that cause lasting effects and require hospitalization or long-term outpatient treatment
“Moderate injury”	Injuries that require hospitalization of less than one month for recovery and inflict after-effects.
“Minor injury”	Injuries that do not require hospitalization or long-term outpatient treatment

Meaning of pictograms



This symbol indicates a risk that may affect the human body. A specific description of the warning is provided with this symbol.



This symbol indicates prohibited activities. A specific description of the prohibition is provided with this symbol.



This symbol indicates activities that must be implemented. Specific instructions are provided with this symbol.

Note



A “Note” item indicates information related to the operation of the product with which the operators must be fully familiar.

Reference

A “Reference” item indicates the location of any sections containing related information.

Period of Service and Time Limit on Supply

Standard period of service by design

 WARNING	 <p>The product has a standard period of service by design of 6 years after the shipment. Continuing the use beyond the standard period of service by design may cause an accident, such as a fire or electric leakage, due to aging.</p>
--	--

The standard period of service by design is not a guaranteed value. This value is the standard period that is expected if appropriate maintenance, management, and care is exercised by the customer. In addition, the indicated value may not be achieved depending on the operating conditions (e.g., environment).

When the standard period of service by design is reached, contact your local dealer.

The contents of this manual shall be valid until the usage time of the product reaches the standard period of service by design.

Time limit on supply of maintenance parts

In principle, the time limit on the supply of the maintenance parts is approximately 6 years after the discontinuation of production of the product.

Note that, for some components, such as generic electronic parts, the production may be discontinued or the specifications may be changed in a short cycle due to the circumstances of the manufacturer.

When the production of a generic electronic part is discontinued, IKARI SHODOKU will predict requirements and make an effort to secure an appropriate quantity. However, in some cases, we may discontinue the supply of some of the maintenance parts before 6 years after the discontinuation of production of the product.

In addition, note that the time limit on the supply of commercially available devices and parts is specified by each manufacturer.

If you need any further information, for example, related to repairs after the warranty has expired, contact your local dealer.

Contents

Introduction.....	2
Trademarks.....	2
Copyrights.....	2
Target readers.....	2
Attention.....	2
Notations in This Manual	3
Meaning of signal words.....	3
Meaning of pictograms	3
Period of Service and Time Limit on Supply	4
Standard period of service by design	4
Time limit on supply of maintenance parts	4
1 For Safe Use	7
1.1 Cautions on operation.....	7
1.2 Cautions on maintenance and inspection	9
1.3 Precautions for power outage.....	9
1.3.1 When the time frame of a power outage is known	9
1.3.2 In the case of a sudden power outage	9
1.4 Product nameplate.....	10
2 Product Overview	11
2.1 Product functions	11
2.2 Features.....	12
2.3 Specifications.....	13
2.3.1 Product specifications	13
2.3.2 Accessories.....	13
2.3.3 Optional parts.....	14
2.4 Name and operation of each part.....	15
2.4.1 Front of the main unit.....	15
2.4.2 Back of the main unit	16
2.4.3 Sides of the main unit	16
2.4.4 Inside of the center cover	17
2.4.5 Behind the control cover	18
3 Installation	19
3.1 Before installation	19
3.1.1 Precautions for installation.....	19
3.1.2 Installation space	20
3.1.3 Unpacking and check of items in the package	21
3.2 Installation method.....	22
3.2.1 For wall mounting.....	22
3.2.2 For direct placement	24

3.2.3	Pole stand (optional part).....	24
3.2.4	Blindfold cover (optional part).....	24
4	Usage.....	25
4.1	Preparation before use	25
4.1.1	Checking the installation of the insect trap lamp.	25
4.1.2	Set the insect trap bag.....	26
4.1.3	Setting the attractant.....	28
4.1.4	Inserting the power plug into the socket.....	30
4.2	Startup method	31
4.3	Stop method.....	31
5	Maintenance and Inspection	32
5.1	Cleaning of the main unit.....	32
5.2	Replacement of the insect trap bag.....	33
5.3	Washing and replacing the filter	35
5.4	Replacement of the insect trap lamp.....	37
5.5	Replacement of the attractant	40
5.6	Replacement of the fuse.....	42
6	Troubleshooting.....	43
7	Storage and Disposal of Product.....	45
7.1	Storage when the product is not operated for a long period	45
7.2	Disposal of the product.....	45
8	List of Consumables and Optional Parts	46
8.1	Consumables.....	46
8.2	Optional parts	46

1 For Safe Use

This chapter describes the matters that should be observed in order to use the product safely and prevent injury to the customer or other people and damage to property.








Be sure to read and thoroughly understand this manual to properly use the product.

1.1 Cautions on operation



 **WARNING**





- Do not use the product for any application other than as described in this manual. Doing so may cause not only damage or malfunction of the product, but also injury or a serious accident.
- Do not place the power cord near an open flame. Do not damage the power cord. Doing so may result in a short circuit or heat generation, causing a fire or an electric shock.
- Do not use the product with a voltage other than the specified power supply voltage. Doing so may cause damage to the product or an ignition accident.
- Do not touch the main unit, power plug, or socket with wet hands. Doing so may cause an accident including an electric shock.
- Do not pull the power cord to unplug the power plug. Doing so may cause an electric shock or short circuit, resulting in ignition.
- Do not use the power plug with dust attached.
- Do not use the main unit where a flammable gas is formed. Doing so may cause an ignition accident or the like.
- Do not disassemble or modify the product. Doing so may cause damage to the product, a fire, or an electric shock. Furthermore, a product that is disassembled or modified by the customer is no longer covered by the warranty.
- The customer should not repair the product. Doing so may cause damage to the product, a fire, or an electric shock. Furthermore, a product that is repaired by the customer is no longer covered by the warranty.
- If any liquid or foreign object has entered the product, immediately unplug the power plug and stop using the product. Continuing to use the product may cause a fire or an electric shock.
- Do not splash water on the product. Doing so may cause a fire or malfunction.
- Do not use the product in a wet or humid location. Doing so may cause a fire or malfunction.

 WARNING	 <ul style="list-style-type: none">• Do not drop or apply a strong shock to the product. If you have dropped or applied a strong shock to the product, immediately unplug the power plug and stop using the product. Continuing to use the product may cause a fire or an electric shock.• Do not use the product within reach of children. Doing so may cause an electric shock, injury, or burn.
	 <ul style="list-style-type: none">• If smoke, foreign odor, or abnormal sound occurs, immediately unplug the power plug and stop using the product. Continuing to use the product may cause a fire or an electric shock.• For the installation location and method, always follow the details described in “3 Installation”.
 CAUTION	 <ul style="list-style-type: none">• Do not use the product in an environment that is subject to chemicals or a hazardous gas. Doing so may result in the corrosion of the product.• Do not cover the product with paper or cloth. Do not place the product near a flammable object. Doing so may cause heat generation from the product, resulting in a fire.
	 <ul style="list-style-type: none">• Store the attractant in a safe location out of reach of children and pets.
NOTICE	 <ul style="list-style-type: none">• If the product becomes dirty, lightly wipe the product with a clean cloth moistened with a neutral detergent. The product does not have a waterproof construction.• If the product is moved between two environments with a drastic difference in temperature, dew condensation may occur. The product should be used at an ambient temperature from 5°C to 35°C and a humidity of 80% RH or less (with no dew condensation).• If any abnormality in the lighting state is found, such as damage to the glass of the insect trap lamp, immediately unplug the power plug and stop using the product.• Under the direction of a responsible person, designate the storage location of the center cover key and store the key with care so as not to lose it.

1.2 Cautions on maintenance and inspection

 WARNING	 <ul style="list-style-type: none"> • Always turn OFF (○) the power switch and unplug the power plug from the socket before cleaning the product or replacing the consumables. • When cleaning the product or replacing the consumables, follow the cautions and procedures described in the relevant sections of “5 Maintenance and Inspection”.
--	--

 CAUTION	 <ul style="list-style-type: none"> • When handling the insect trap lamp, be careful not to drop it. Dropping the insect trap lamp may cause injury due to damage to the lamp or scattering of broken pieces.
--	---

1.3 Precautions for power outage

Although the product is designed to prevent insects from escaping, take the following measures if there is any concern, based on the type of insects, that the insects may escape during a power outage.

1.3.1 When the time frame of a power outage is known

Take either of the following measures:

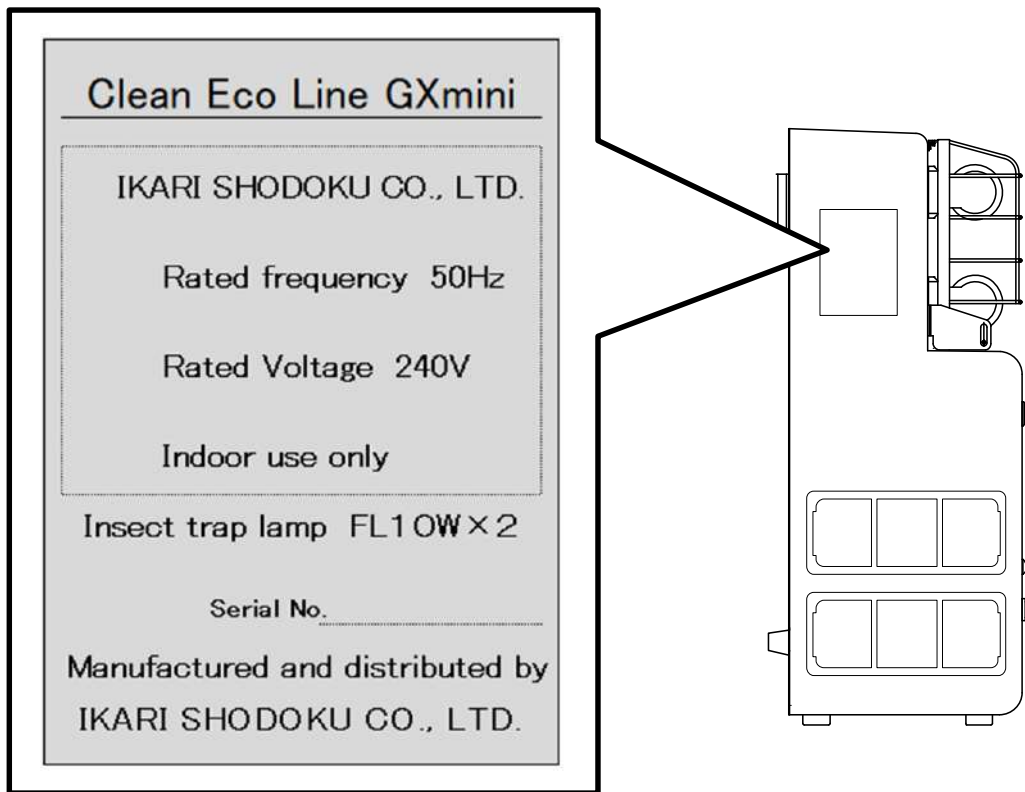
- Seal the suction opening of the main unit with tape before the power outage. Be sure to remove the tape after the power is restored. Returning to operation with the tape attached may cause a malfunction.
- Collect the insect trap bag before the power outage, and reinstall it after the power is restored.

1.3.2 In the case of a sudden power outage

Open the center cover of the main unit and remove the insect trap bag. Perform insecticidal treatment by directly spraying an aerosol insecticide.

1.4 Product nameplate

The nameplate describing the serial No., rating, and so on, of the product is attached as shown in the figure below.



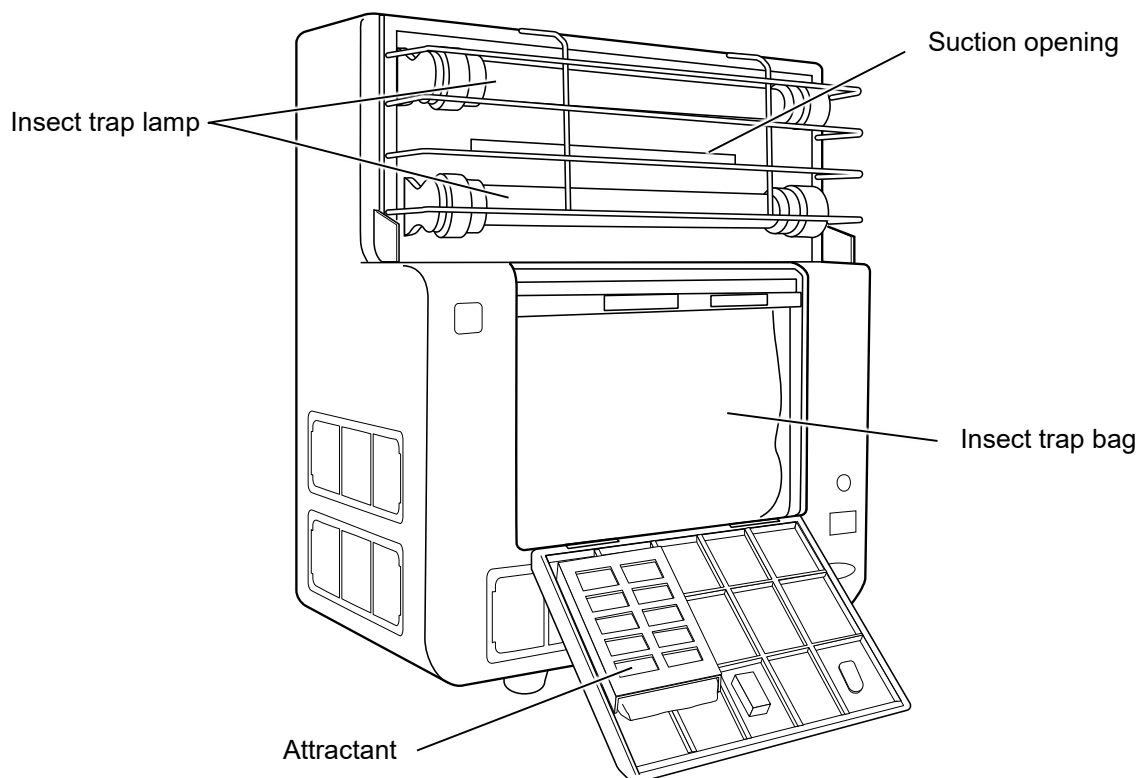
If the product nameplate is peeling off or deteriorating and becoming illegible, contact your local dealer and obtain a new product nameplate. Attach the new product nameplate obtained to the same location as before.

2 Product Overview

2.1 Product functions

The product captures insects (flying insects), including house flies, humpbacked flies, fruit flies, etc. that cause problems in food plants, restaurants, supermarkets, and so on.

In addition to the insect trap lamps (ultraviolet rays) and the suction using the fan, the product is also equipped with an attractant that is especially effective against large flies as a standard feature, enabling it to capture insects that could not be trapped with adhesive type.



2.2 Features

The trapped insects are contained in the special insect trap bag designed to prevent them from escaping.

Unique and powerful attraction structure

The insect trap lamps (10 W × 2) are installed in parallel on the front of the product. The reflector behind an insect trap lamp increases the insect attraction effect.

IKARI SHODOKU original attractant

The IKARI SHODOKU original attractant (accessories) can increase the insect trapping effect.

Suction method

The suction structure enables you to efficiently capture a variety of flying insects. Suctioning is particularly effective against smaller insects.

Prevention of insect escape using the insect trap bag

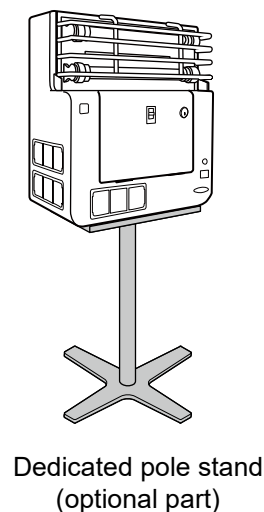
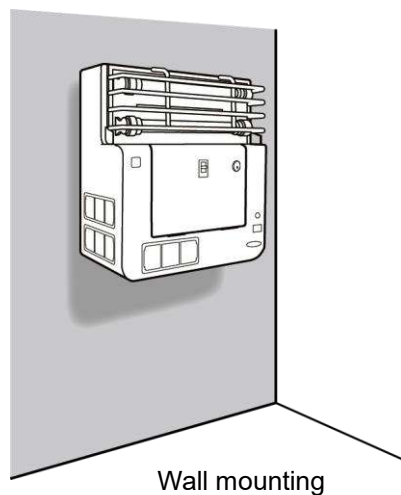
Since the product uses suction to capture insects, the trapped insects survive in the insect trap bag. Therefore, the double structure of the insect trap bag prevents the trapped insects from escaping, for example, during a power outage. In addition, the large capacity of the bag allows you to capture a large amount of insects.

Usability

The product is operated simply by turning ON/OFF the switch.

Installation method

The product can be installed via direct placement or wall mounting. A dedicated pole stand is also available as an optional part.

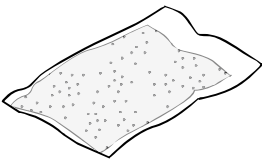
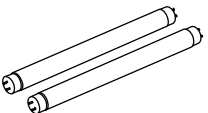
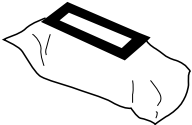
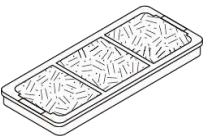
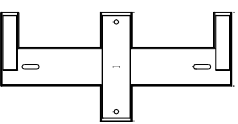



2.3 Specifications

2.3.1 Product specifications

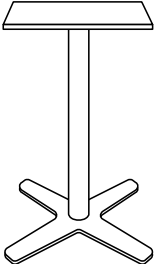
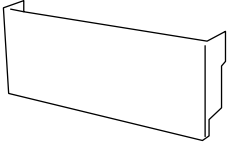
Item	Description
Name	Clean Eco Line GXmini
Dimensions	Width 435 mm × height 495 mm × depth 190 mm
Weight	Approx. 10 kg (excluding wall mounting fixture)
Insect trap lamp	10 W × 2 (FL10SBL)
Power supply	240 V AC 50 Hz
Power consumption	114 W
Insect trapping method	Suction fan, insect trap bag
Installation method	Wall mounting, direct placement, mounting on the dedicated pole stand (optional part)
Operating temperature/humidity	5°C to 35°C, 80% RH or less (with no dew condensation)

2.3.2 Accessories

Name	Exterior	Description
Attractant (consumables)		Natechno-Lure BS Bag (attractant derived from natural ingredients) × 10 Main ingredient: Bamboo shoot extract Target insects: Large flies (house flies, flesh flies) Small flies (fruit flies, etc.)
Insect trap lamp (consumables)		10 W × 2 (FL10SBL) Note: The shatter-proof type is provided with a lamp coated with a shatter-proof film.
Insect trap bag (consumables)		Non-woven fabric (disposable) × 5 sheets/bag
Filter (consumables)		Filter for cleaning the exhaust air × 3
Wall mounting fixture		1 piece Note: No screws are attached. Separately prepare screws appropriate for the wall material.
Key		Key for the center cover lock × 2
Instruction Manual	This manual	1 copy

Reference For the product codes, product names, and specifications of the consumables, refer to “8 List of Consumables and Optional Parts”.

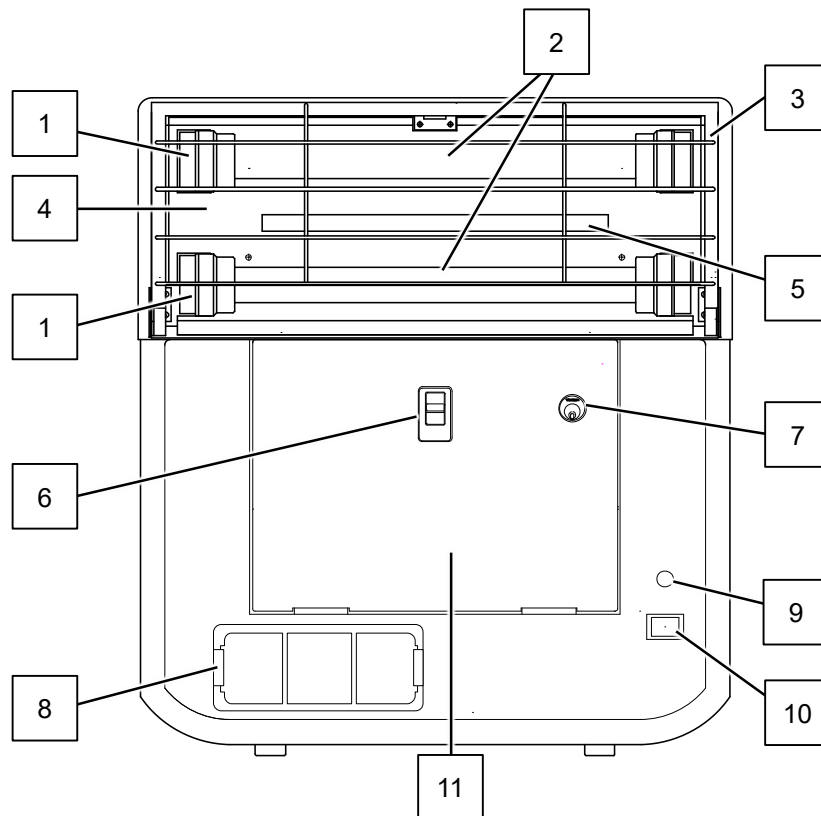
2.3.3 Optional parts

Name	Exterior	Description
Pole stand for Clean Eco Line GXmini		Dimensions: W 420 mm × H 620 mm × D 420 mm Weight: Approx. 7 kg Base: Aluminum (with adjuster) Stand and pole: Steel Coating: Silver powder coating
Blindfold cover for Clean Eco Line GXmini		Dimensions: W 412 mm × H 160 mm × D 61 mm Weight: Approx. 200 g Material: Acrylic resin

Reference For the product code, product name, and specifications of the optional parts, refer to “8 List of Consumables and Optional Parts”.

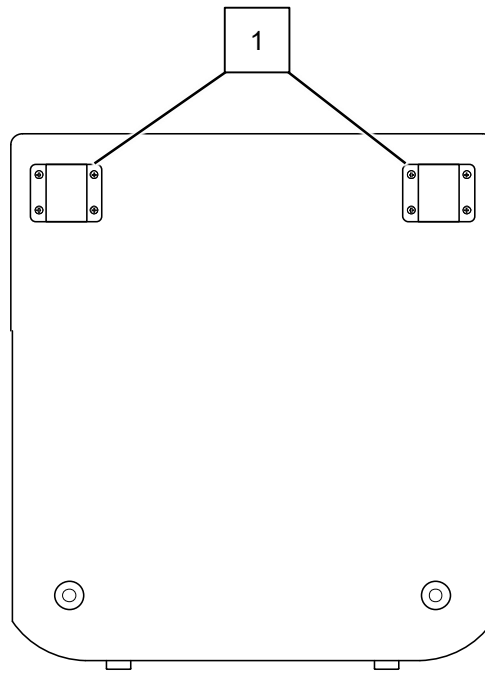
2.4 Name and operation of each part

2.4.1 Front of the main unit



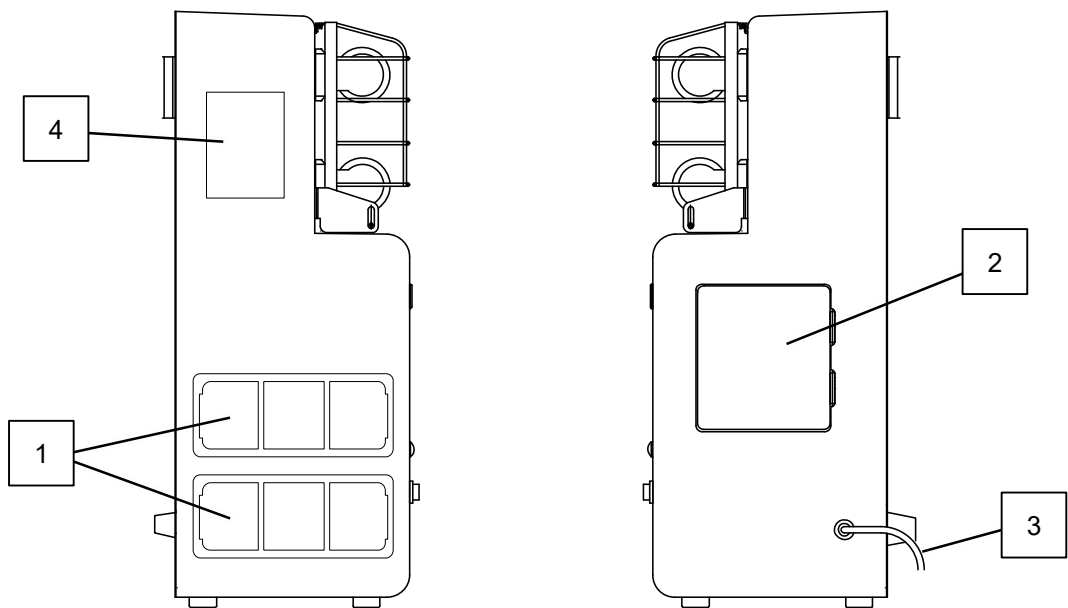
No.	Name	Description
1	Fluorescent lamp socket	The insect trap lamp is inserted.
2	Insect trap lamp	Fluorescent lamp for the insect trap (10 W × 2). A specification of the lamp with shatter-proof film is also available.
3	Protective grille	Protects the insect trap lamp.
4	Reflector	Reflects the light from the insect trap lamp and increases the insect trapping effect.
5	Suction opening	Insects are suctioned through this opening by the internal vacuum fan.
6	Center cover lock	Lower this tab to open the center cover.
7	Keyhole	Hole for inserting the center cover key.
8	Filter	For cleaning the exhaust air.
9	Power indicator	Lit while the product is in operation.
10	Power switch	Switch to start/stop the operation.
11	Center cover	Opened when replacing the insect trap bag or the attractant.

2.4.2 Back of the main unit



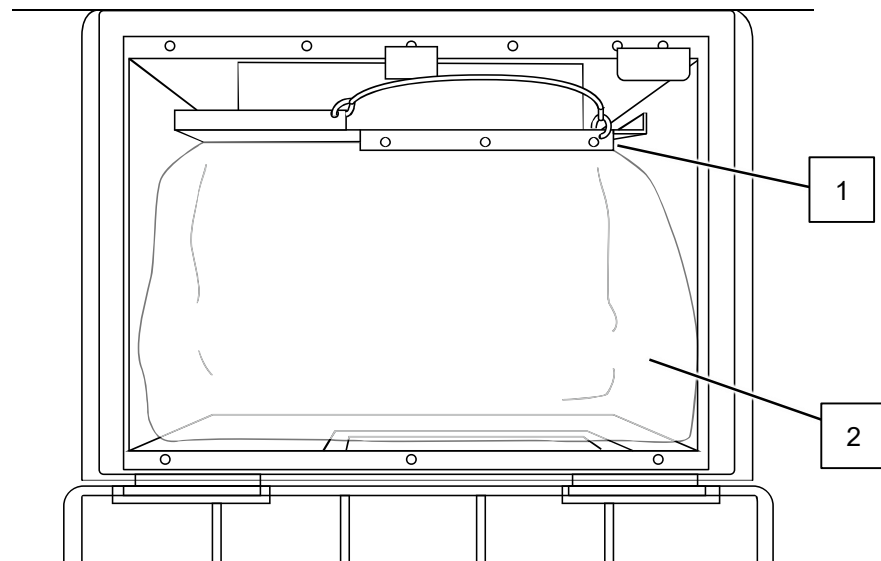
No.	Name	Description
1	Wall mounting hook	The wall mounting fixture is inserted.

2.4.3 Sides of the main unit

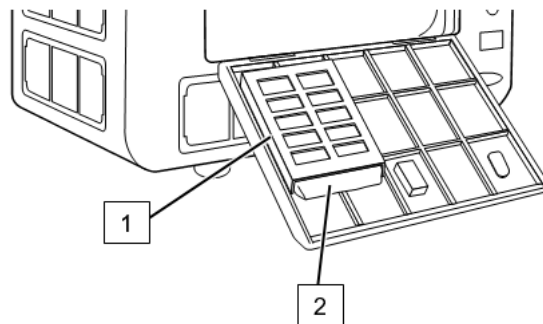


No.	Name	Description
1	Filter	For cleaning the exhaust air.
2	Control cover	The fuse is housed behind the cover.
3	Power cord	Wiring for supplying the power.
4	Product nameplate	Describes the name, rating, serial No., compatible standards, and so on, of the product.

2.4.4 Inside of the center cover



No.	Name	Description
1	Insect trap bag fixing clip	Metal fixture for fixing the insect trap bag.
2	Insect trap bag	Collects the captured insects. The double structure of the insect trap bag prevents the trapped insects from escaping.



No.	Name	Description
1	Attractant pocket	Pocket for storing the attractant.
2	Attractant	Packet containing the ingredient that attracts insects (bamboo shoot extract).

2.4.5 Behind the control cover









Name	Description
Fuse	To replace the fuse, rotate this cap counterclockwise and remove the fuse (250 V, 4 A).

3 Installation

3.1 Before installation

3.1.1 Precautions for installation

Observe the following for the installation:

 WARNING	 <ul style="list-style-type: none"> • The rated voltage of the product is 240 V. Do not supply power other than the rated value.
	 <ul style="list-style-type: none"> • When mounting the product on the wall, select a place with sufficient strength and securely install the product. Select and attach the anchors and screws appropriate for the wall material.
 CAUTION	 <ul style="list-style-type: none"> • Do not use the product in an environment that is subject to chemicals or a hazardous gas. Doing so may result in the corrosion of the product. In addition, hazardous chemicals may attach and cause harm to the human body. • Do not use the product in a horizontal position. The product is designed to be used in a vertical position. • When carrying the product, do not hold the protective grille. Also, do not put your hands on the filter sections.
	 <ul style="list-style-type: none"> • Install the product in a place and at a height where a person or object will not hit it. • Install the product indoors.

Do not use the product in the following locations, even if they are indoors:

Where the operating temperature or humidity is beyond the specified range

Operating temperature range: 5°C to 35°C.

Operating humidity range: 80% RH or less (with no dew condensation)

Where there is a risk of deterioration in the insulation performance due to water (conductive liquid)

When the product is installed in a location where mist water, water vapor, and the like, may splash over the product, an electric shock or a fire may occur due to deterioration in the insulation performance, corrosion, and so on.

Location with strong vibration

A malfunction may occur and the main unit may fall.

Dusty location

When the product is installed in a dusty location, the insect trapping performance may deteriorate due to reduced performance of the vacuum fan or a clogged filter.

Location with direct sunlight

A malfunction or deformation may occur.

Location with an adhesive objects

The fan may fail if it suctions vapor emitted from a highly adhesive materials for a long period. Example: Manufacturing or treatment process that handles highly glutinous foods (such as in food manufacturing factories).

Operation on an unsteady stand, or a tilted or unstable location

Injury, malfunction, damage, or contact failure may occur.

Where there is a risk of explosion due to a combustible gas and so on

The specifications of the product are not explosion-proof. Do not use the product in a combustible gas atmosphere.

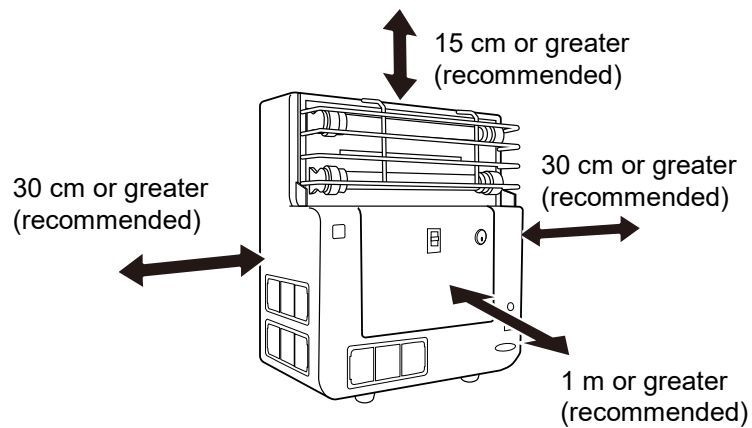
Where there is a risk of deterioration in the insulation performance due to a corrosive gas and so on

When the product is installed in a location where a corrosive gas or solution is discharged*, the insulation or conduction performance may deteriorate, causing an electric shock or a fire.

* Protection facilities of acids and alkalis, chloric acids, bleaching powder, paint, or artificial fertilizers, smelters of copper, zinc, and so on, electroplating factories, and the like

3.1.2 Installation space

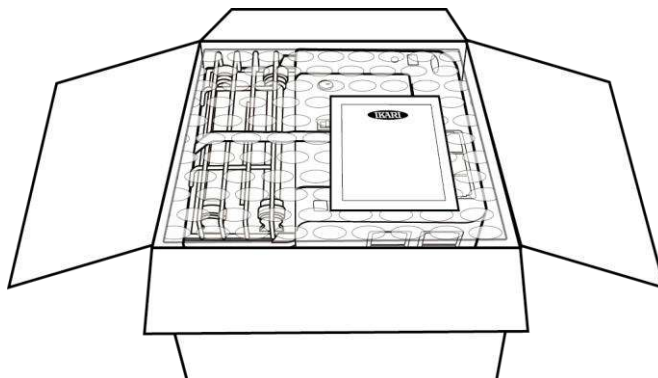
Secure a space in the front, sides, and top of the product as follows:



3.1.3 Unpacking and check of items in the package

The product is packed and protected for shipment with a cardboard box, plastics, and cushioning material.

After the arrival of the product, open the cardboard box and check that all the items described in “2.3.2 Accessories” are included together with the product.





NOTICE



- If damage to the main unit or missing accessories is noticed during unpacking, contact your local dealer and do not proceed with the installation or operation.
- We recommend storing the cardboard box and cushioning material after unpacking for re-transportation. When you dispose of them, comply with the administrative laws and regulations stipulated by the national or local government and properly discard them.
- When you repack the product for repair or transfer, fill the cardboard box with the cushioning material to the same level as the time of delivery, and be careful not to damage the product during the transportation.

3.2 Installation method

3.2.1 For wall mounting

 WARNING	 <ul style="list-style-type: none"> • Always use the provided wall mounting fixtures. If you use a metal fixture other than the provided one, injury due to damage or falling of the main unit may occur. • In principle, request a special construction contractor to mount the product on the wall. • Always drive anchors into the backing material or the building skeleton to install the wall mounting fixture. The product may fall if the wall mount fixture is installed only on finishing materials such as boards.
--	--

Before the installation, check the conditions of the wall finishing materials, the backing materials, and the building skeleton as described below.

After checking, install the product using an appropriate method in such a way that the provided wall mounting fixture will not be loosened.

Note that no screws are attached to the wall mounting fixture. Separately prepare screws appropriate for the wall material.

Common points to be checked for backings

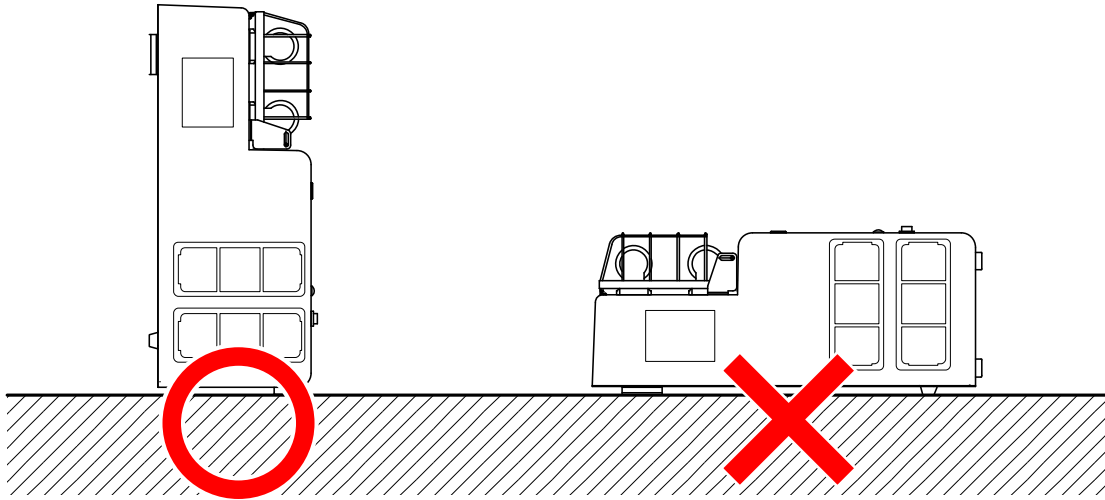
- Select the screws or bolts that are most appropriate for the backing (use $\varnothing 5$ mm or greater).
- Since the strengths of screws and bolts depend on the quality of construction, install them accurately.
- Identify the material and position of the backing using a measuring instrument and the like.
- If the finishing material, the backing material, or the building skeleton cannot be identified, always check with the drawings.
- Limit the designed strength of the screws or bolts to approximately one fifth of the indicated strength.
- Pay attention to horizontal shaking to prevent the product from falling even during an earthquake.
- Do not install the product near fire prevention equipment, including sprinklers and alarms.

Points to be checked for each type of backing

- When installing the wall mount fixture directly on the concrete skeleton
Directly fix the wall mount fixture using screws or bolts.
- For a mortar finish on concrete
Check for any floating of the mortar finish, and then directly fix the wall mount fixture using screws or bolts that reach the concrete.
- For plasterboards pasted on concrete (GL method)
Directly fix the wall mount fixture using screws or bolts that reach the concrete. Alternatively, fix a backing board for the installation using screws or bolts, and then install the wall mounting fixture on the backing board.
- For backing with light gauge frame partitions
Identify the position of the backing and then fix the wall mount fixture using screws or bolts.
- For backing with ALC panels [ALC: autoclaved (aerated) lightweight concrete]
Since ALC panels are fragile, fix the wall mount fixture using penetrating anchors with washers. Alternatively, fix a backing board for the installation using screws or bolts, and then install the wall mounting fixture on the backing board.
- To install the product on a special material, consult with the manufacturer of the material.



3.2.2 For direct placement

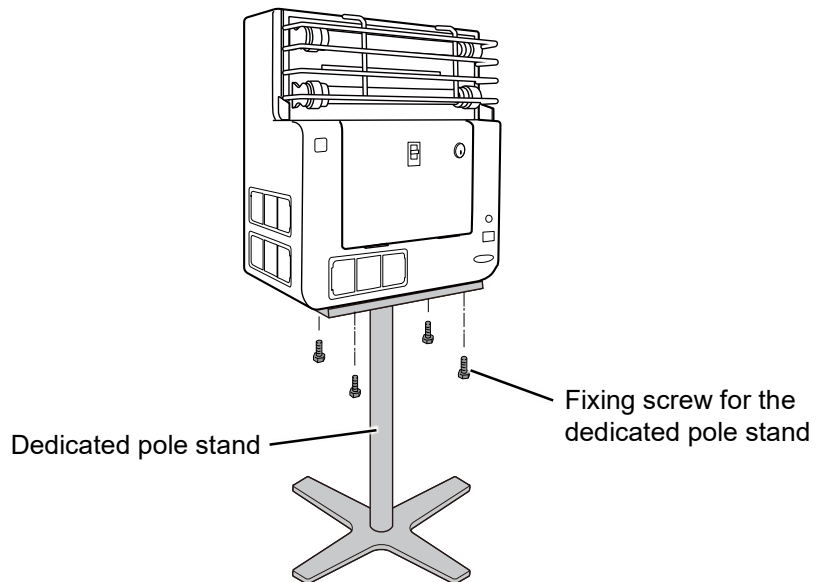
Select a location appropriate for the installation of the main unit and place the main unit upright.



3.2.3 Pole stand (optional part)

When using the dedicated pole stand for the Clean Eco Line GXmini (optional part), secure the product with the 4 screws from the bottom of the dedicated pole stand (for more details, see the instruction manual supplied with the dedicated pole stand).

 CAUTION	 <ul style="list-style-type: none">• Always install the dedicated pole stand in a flat location without any vibration. The leg section of the dedicated pole stand cannot be fixed to the floor. Placing the pole stand on a location with vibration or tilt may cause a fall.
--	---



3.2.4 Blindfold cover (optional part)

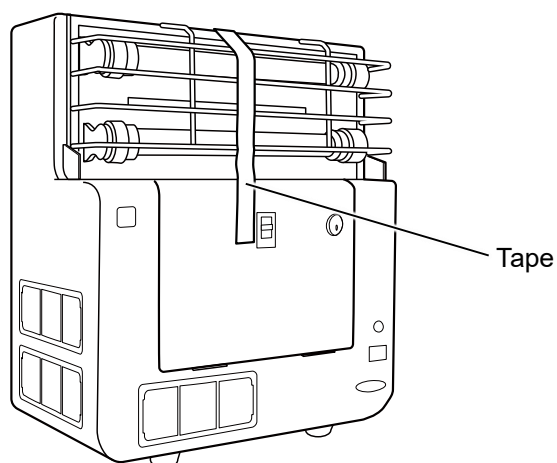
When using the blindfold cover for the Clean Eco Line GXmini (optional part), attach the blindfold cover on the protective grille (for more details, see the instruction manual supplied with the blindfold cover).

4 Usage

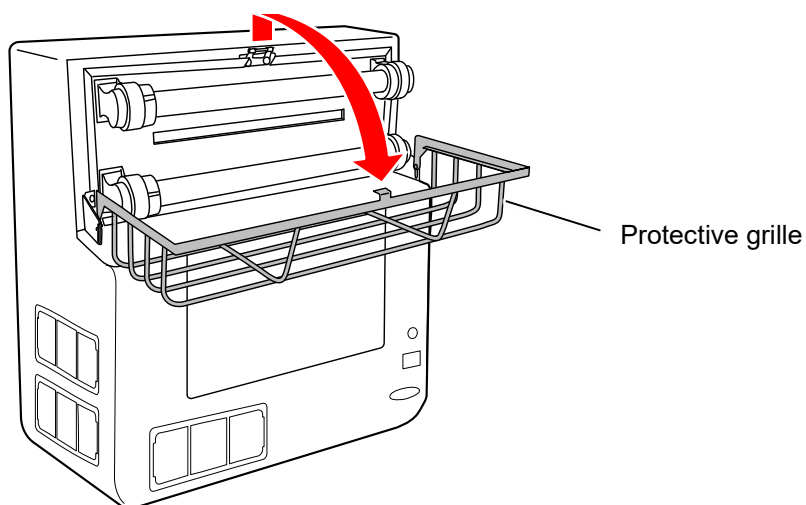
4.1 Preparation before use

4.1.1 Checking the installation of the insect trap lamp.

- 1 Strip the tape that has secured the protective grille during shipment.



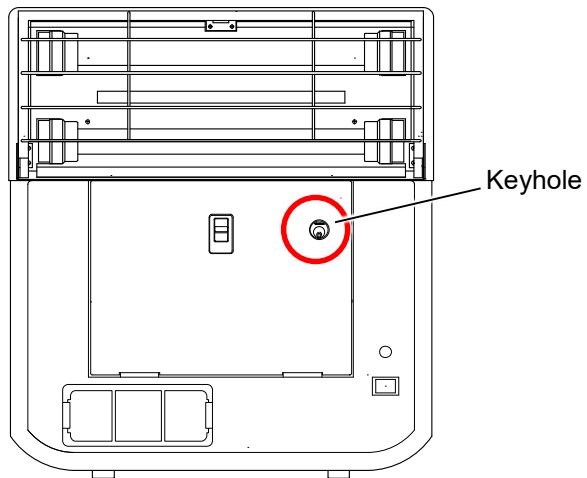
- 2 Lift the protective grille by approximately 5 mm to release the upper hook, and then open the grille toward the front.



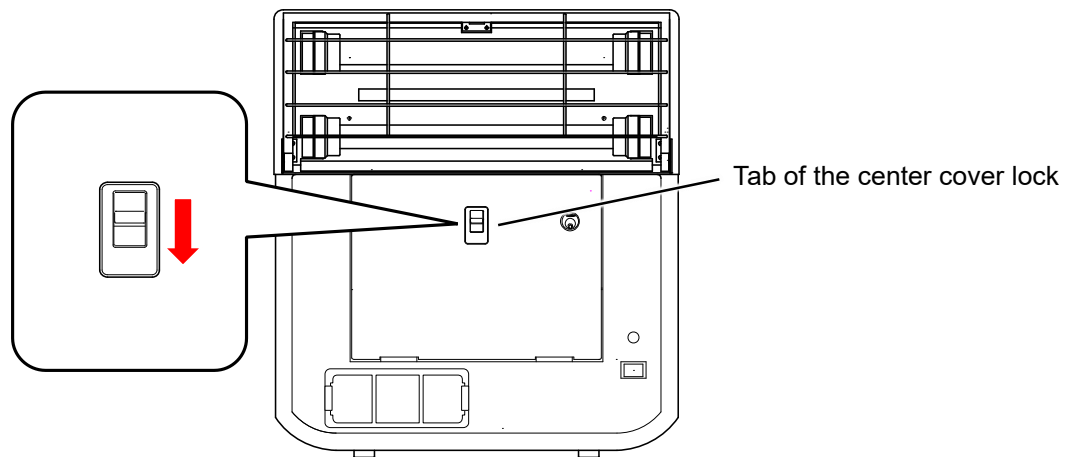
- 3 Check if the insect trap lamp is dislocated or unsteady.
- 4 Reattach the protective grille.

4.1.2 Set the insect trap bag.

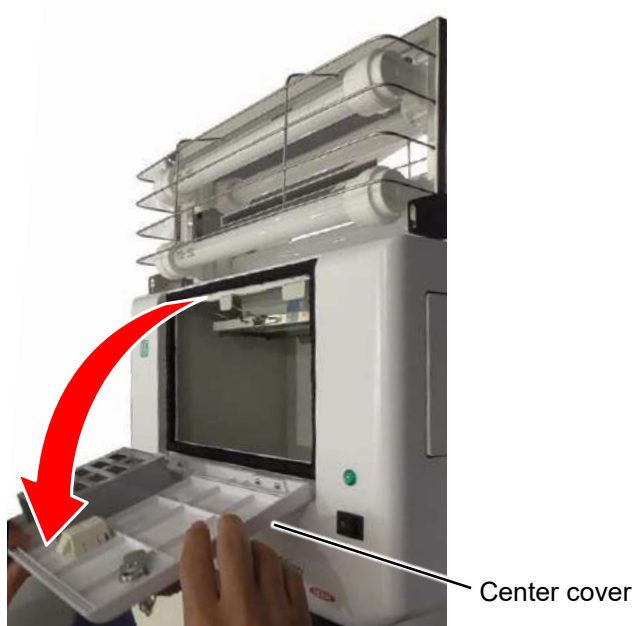
- 1 Insert the key into the keyhole on the center cover. Rotate the key counterclockwise to unlock.**




- 2 Lower the tab of the center cover lock to unlock the center cover.**

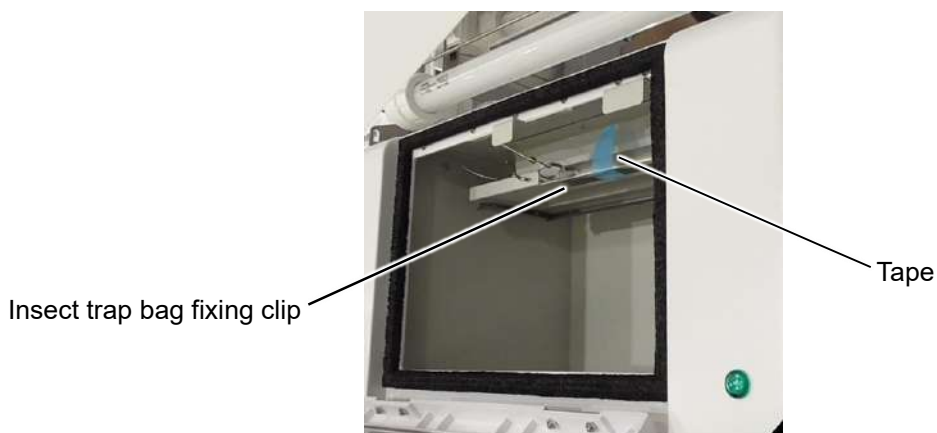


- 3 Open the center cover toward the front.**

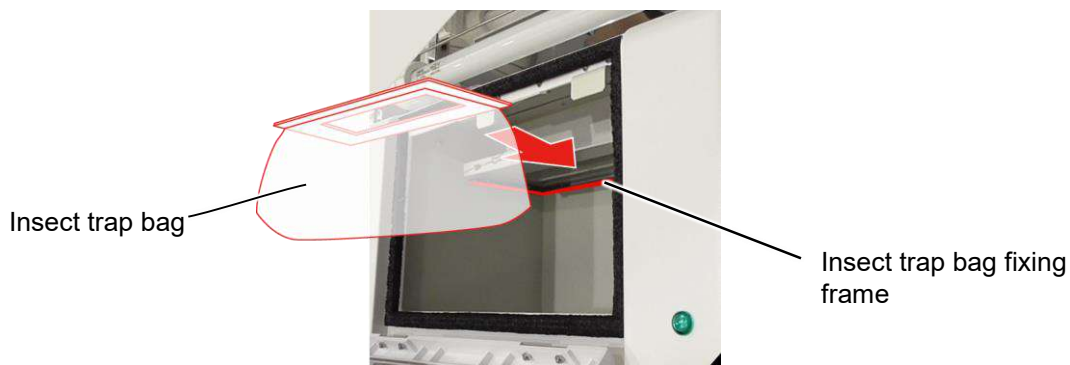


- 4 Strip the tape that has secured the insect trap bag fixing clip during shipment, and then remove the clip.

CAUTION  • Be careful not to cut your fingers and the like with the edge of the insect trap bag fixing clip.

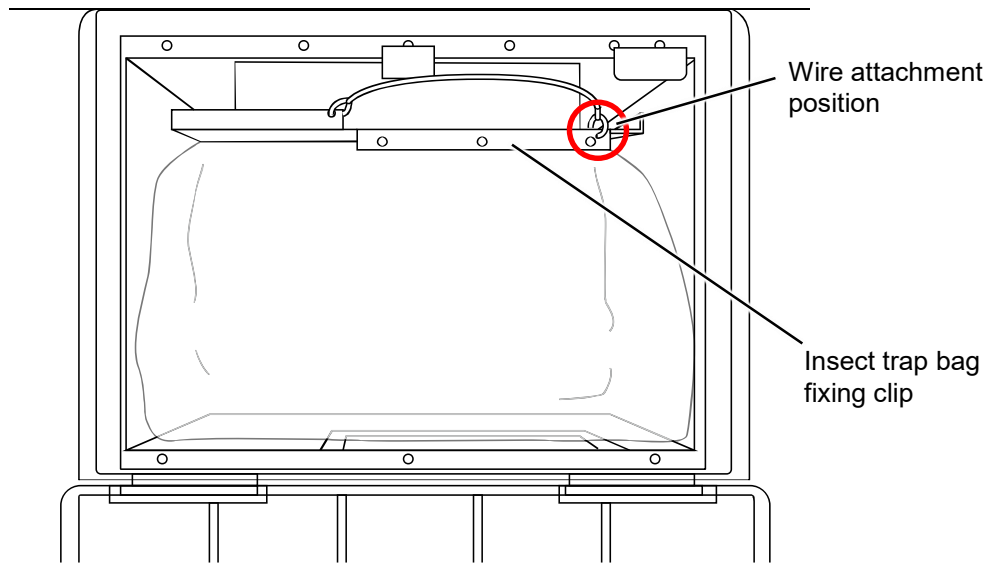


- 5 Insert the insect trap bag along the insect trap bag fixing frame.



6 Fix the insect trap bag using the insect trap bag fixing clip.

Note When installing the insect trap bag fixing clip, ensure that the wire attachment position on the clip is located on the right side.



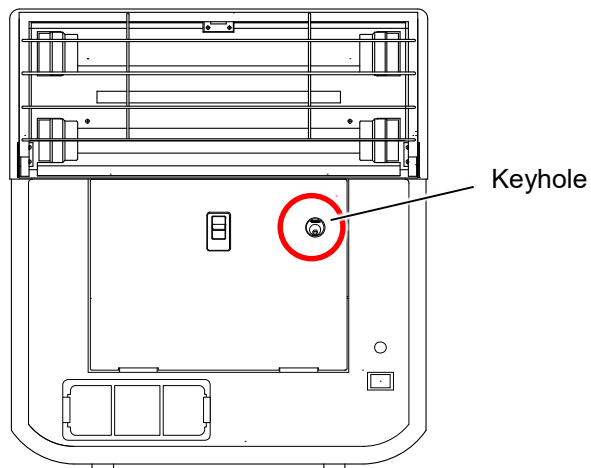
7 Close the center cover.

Note At this time, be careful not to pinch the insect trap bag.

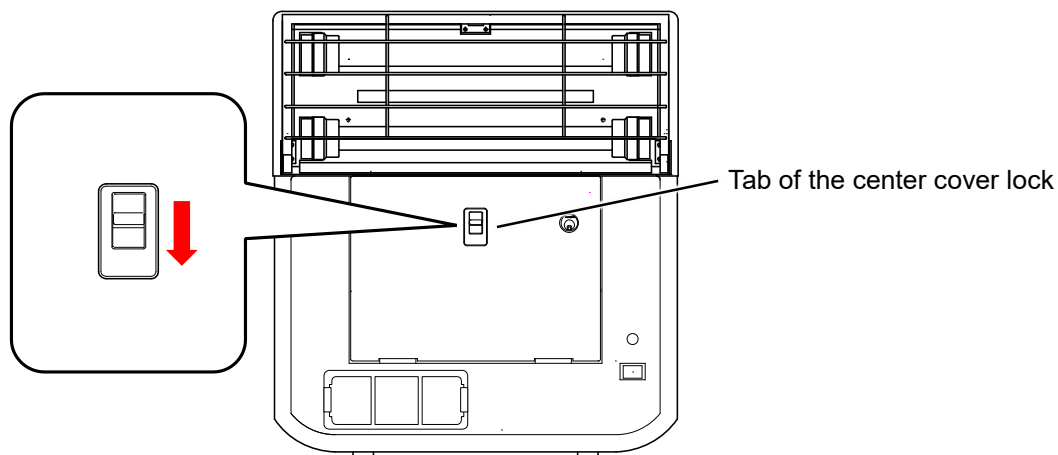
8 Reverse steps 1 and 2 to lock the cover.

4.1.3 Setting the attractant

1 Insert the key into the keyhole on the center cover. Rotate the key counterclockwise to unlock.

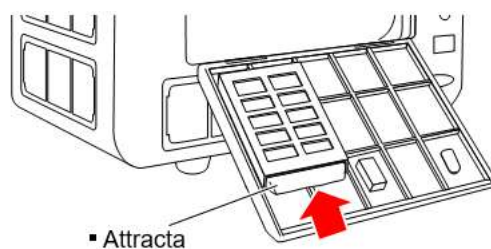


2 Lower the tab of the center cover lock to unlock the center cover.



3 Open the center cover toward the front, and then set the attractant (1 or 2 packets) in the attractant pocket.

Note Do not tear the packet made of non-woven fabric. Use the packet as it is.





4 Close the center cover.

Note At this time, be careful not to pinch the insect trap bag.

5 Reverse steps 1 and 2 to lock the cover.

Reference For instructions on the attractant, refer to the label on the Natechno-Lure BS Bag (attractant derived from natural ingredients).

4.1.4 Inserting the power plug into the socket

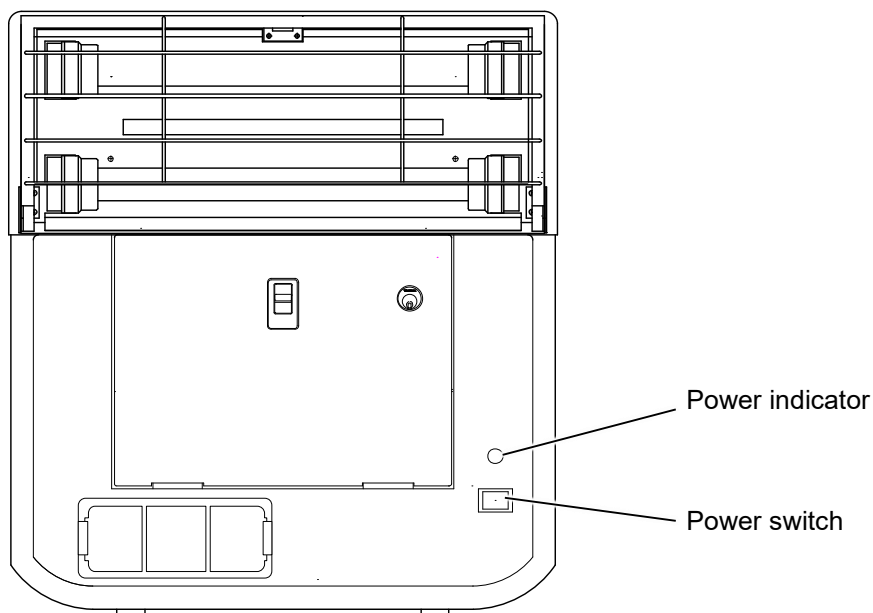
 WARNING	 <ul style="list-style-type: none">• Do not touch the main unit, power plug, or socket with wet hands. Doing so may cause an accident including an electric shock.
--	---

Insert the power plug into the socket.

4.2 Startup method

- 1 Before turning ON the power switch, check that the items described in “4.1 Preparation before use” have been completed.
- 2 Turn ON (|) the power switch on the front left side of the main unit.

Note The power indicator is lit while the product is in operation.



- 3 Check that the fan starts operating and the insect trap lamp lights up.

Note If a fault occurs, for example, the fan not operating or the insect trap lamp not lighting up, stop using the product, and refer to “6 Troubleshooting” for countermeasures.

4.3 Stop method

- 1 Turn OFF (O) the power switch on the front left side of the main unit.



Note The power indicator and the insect trap lamp are turned OFF, and the fan stops operating.


5 Maintenance and Inspection

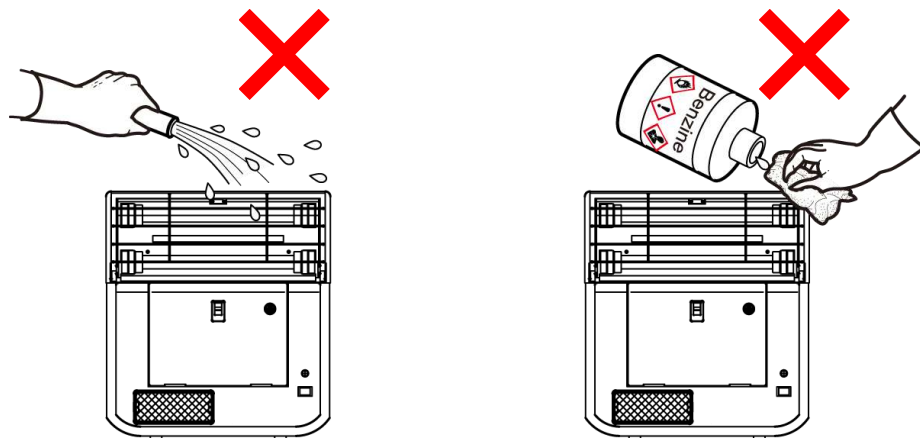
5.1 Cleaning of the main unit

Maintenance and inspection cycle: every day

Cleaning method

 WARNING	 <ul style="list-style-type: none">• Do not splash water on the product. Doing so may cause a fire or malfunction.• Do not use water, detergent, or chemicals for the resin part of the fluorescent lamp socket. Doing so may cause degradation of the parts or an electric shock.
--	--





NOTICE	 <ul style="list-style-type: none">• Do not wipe the surface of the main unit with volatile material, such as gasoline, benzine, thinner, or alcohol. Do not spray insecticide over the surface of the main unit. Doing so may cause discoloration or deformation.
---------------	---



Wipe off the dirt on the product with a dry cloth or a soft cloth moistened with lukewarm water or neutral detergent. Finish the procedure by wiping off any moisture with a dry cloth.

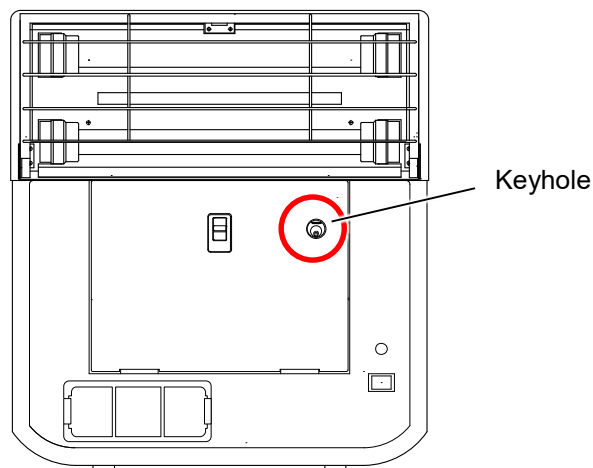
5.2 Replacement of the insect trap bag

Maintenance and inspection cycle: every month (determine according to the capture amount and so on)

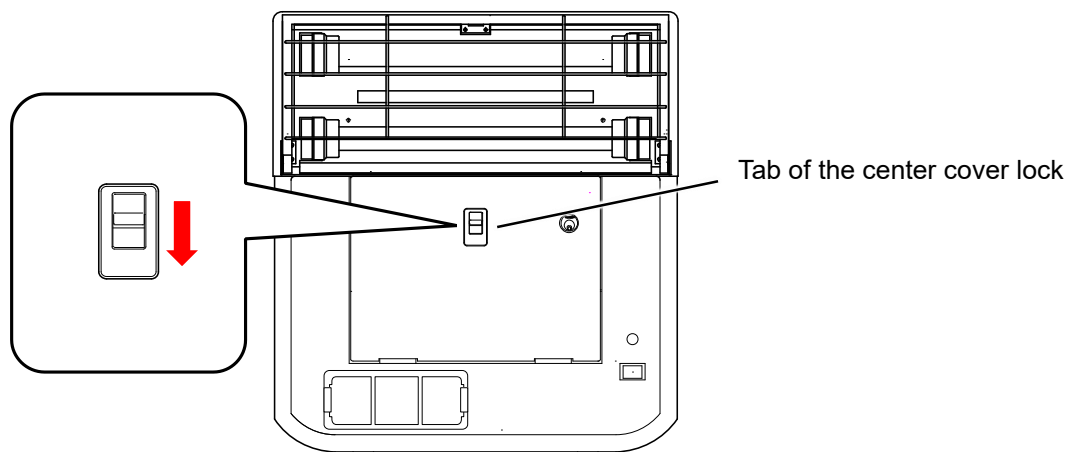
⚠ WARNING	 <ul style="list-style-type: none"> • Turn OFF (O) the power switch and unplug the power plug from the socket before replacing the insect trap bag.
⚠ CAUTION	 <ul style="list-style-type: none"> • Be careful not to cut your fingers and the like with the edge of the insect trap bag fixing clip.
NOTICE	 <ul style="list-style-type: none"> • Do not carry the insect trap bag containing insects as it is. Doing so may scatter insect bodies or fragments. • Collect the insect trap bag into a bag that can be sealed, such as a plastic bag with fastener or a larger plastic bag.
	 <ul style="list-style-type: none"> • Always use the dedicated insect trap bag for the Clean Eco Line GXmini.

Replacement method

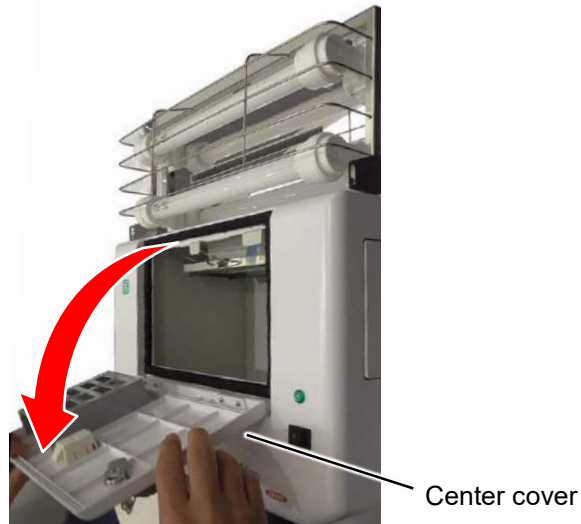
- 1 Insert the key into the keyhole on the center cover. Rotate the key counterclockwise to unlock.



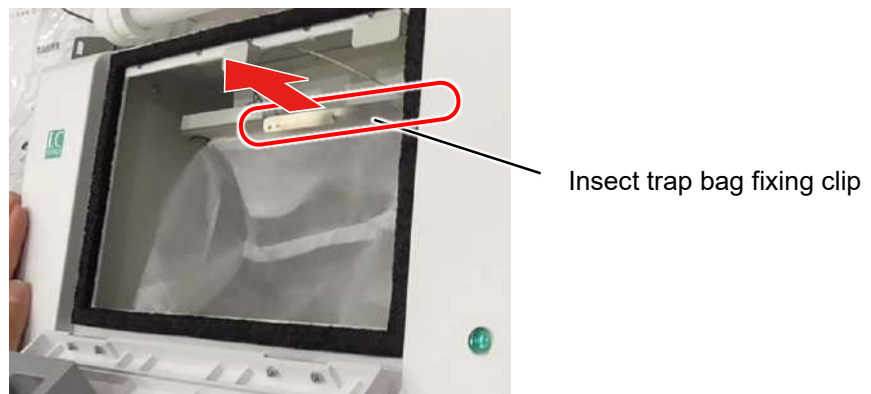
- 2 Lower the tab of the center cover lock to unlock the center cover.



- 3 Open the center cover toward the front.



- 4 Remove the insect trap bag fixing clip.



- 5 Slide the old insect trap bag toward the front and then remove it.



- 6 When discarding the removed insect trap bag, collect the insect trap bag into a plastic bag with fastener and the like.
- 7 When using the optional insect trap bag for the Clean Eco Line GX II (with fastener), unzip the bag and then remove the insects. If the bag is dirty, you can reuse it after washing.

NOTICE



- After washing the insect trap bag, completely dry the bag and then reuse it.




- 8 Refer to “4.1.2 Set the insect trap bag.” and set the new insect trap bag.

This completes the replacement of the insect trap bag.

5.3 Washing and replacing the filter

Maintenance and inspection cycle: washing every month (determine the replacement cycle according to the condition of dust attachment).

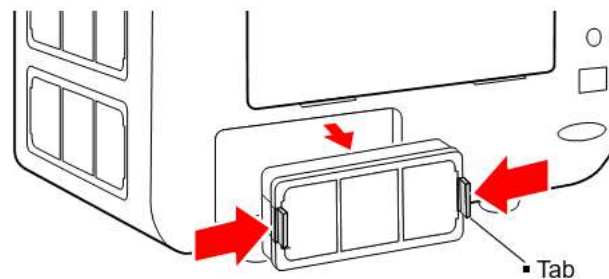
Note that the filter can be reused up to approximately three times as a reference.

⚠ WARNING	 <ul style="list-style-type: none"> • Turn OFF (○) the power switch and unplug the power plug from the socket before replacing the filter.
NOTICE	 <ul style="list-style-type: none"> • Collect the filter into a bag that can be sealed to prevent dust and the like from being scattered.
	 <ul style="list-style-type: none"> • Even when the filter appears to be clean by visual inspection, the filter may be clogged with dust and the like, causing a reduction in the vacuum power or a fan failure. Wash and replace the filter according to the maintenance and inspection cycle for the filter. • When washing the filter, do not rub or tightly squeeze the filter.


Replacement method

The filters are located on the left and front sides (total three). Replace the three filters together.

- 1 Remove the filter case while pushing the tab inward.

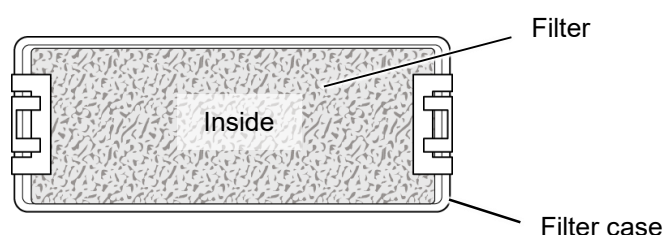


- 2 Use a neutral detergent and the like to wash the dirty filter.
If the filter is significantly dirty or deteriorated, replace it with a new one.

NOTICE	 <ul style="list-style-type: none"> • After washing the filter, completely dry the filter and then reuse it.
---------------	--

- 3 Fit the new filter into the filter case.

Note The surface with the soft touch (coarse surface) faces the inside of the product.



4 **Mount the filter case onto the main unit.**

Note






At this time, push the case on the side with the tab onto the main unit until you hear a click, so that the case is securely locked. Visually check the tab to confirm that the case is securely locked.

This completes the replacement of the filter.

5.4 Replacement of the insect trap lamp

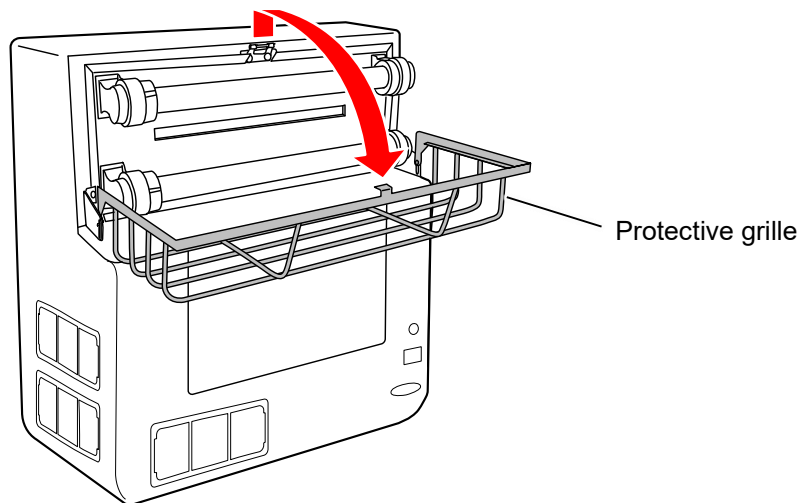
Maintenance and inspection cycle: every 3 months*

* Although the rated life of the insect trap lamp is 3,500 hours (4 months), we recommend replacing it every 3 months because the attractant effect of an insect trap lamp nearing the end of its life is significantly reduced compared with a new one.

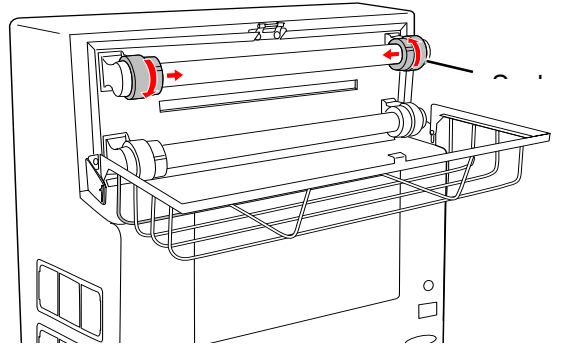
 WARNING	 <ul style="list-style-type: none">• Turn OFF (○) the power switch and unplug the power plug from the socket before replacing the insect trap lamp. Be careful as the surface of the insect trap lamp will remain hot for a short while after turning OFF the power.
 CAUTION	 <ul style="list-style-type: none">• When handling the insect trap lamp, be careful not to drop it. Dropping the insect trap lamp may cause injury due to damage to the lamp or scattering of broken pieces.
NOTICE	 <ul style="list-style-type: none">• Always use the insect trap lamp specified by IKARI SHODOKU. Otherwise, the life of the insect trap lamp may be shortened or malfunction of the product may occur.

Replacement method

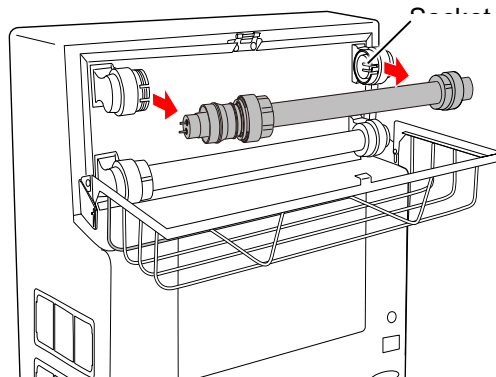
- 1 Lift the protective grille by approximately 5 mm to release the upper hook, and then open the grille toward the front.



- 2 Rotate counterclockwise the left and right socket caps of the insect trap lamp to remove them.

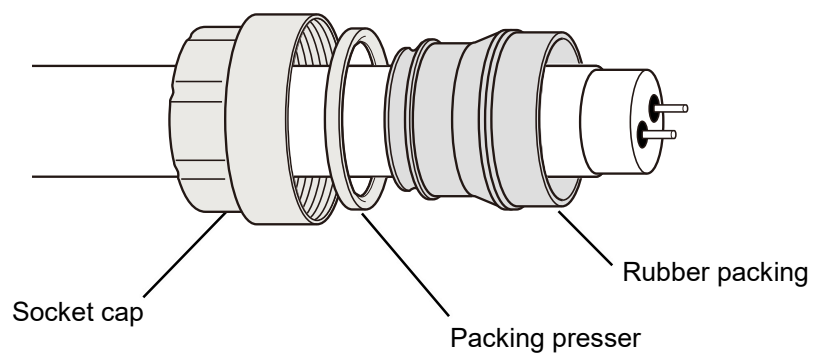


- 3 Pull out the terminals of the insect trap lamp along the grooves of the fluorescent lamp sockets.

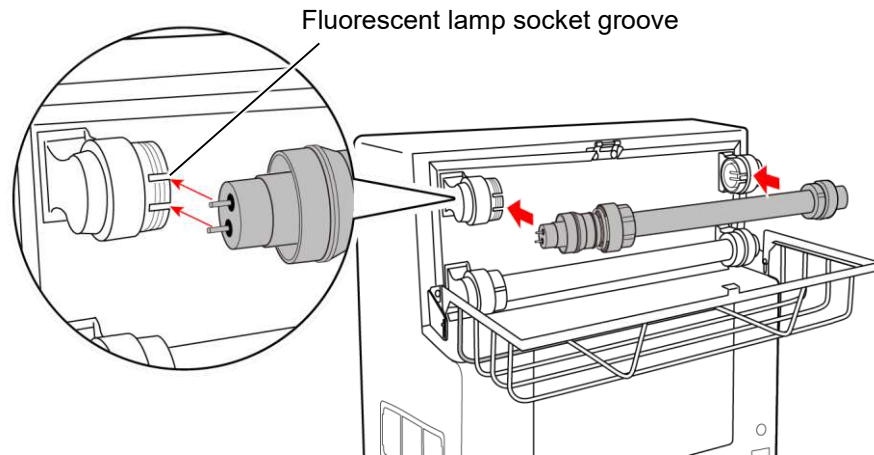


- 4 Put the socket cap, packing presser, and rubber packing on the new insect trap lamp in this order.

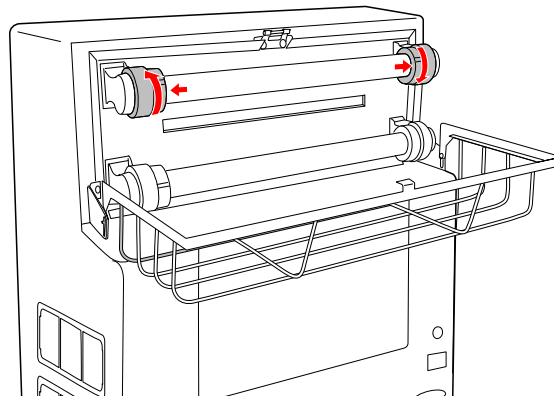
Note The packing presser has no front or back side.



- 5 **Insert the pins on both ends of the insect trap lamp into the grooves on the fluorescent lamp sockets. Push the insect trap lamp until you hear a click to mount it.**



- 6 **Check if the insect trap lamp is dislocated or unsteady.**
- 7 **Rotate clockwise the left and right socket caps of the insect trap lamp to tighten them.**





- 8 **Replace the other insect trap lamp in the same manner as well.**
- 9 **Reattach the protective grille.**

This completes the replacement of the insect trap lamp.

5.5 Replacement of the attractant

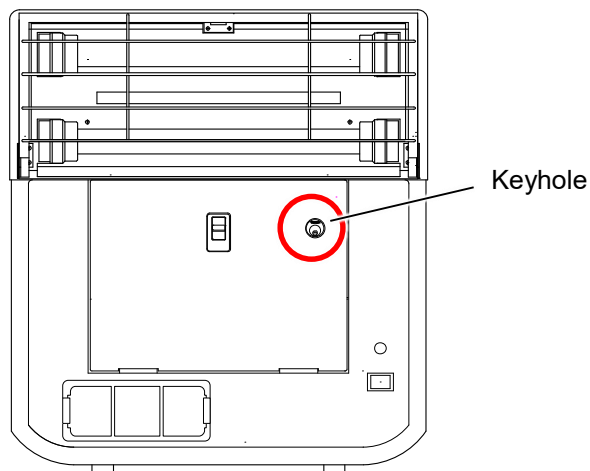
Maintenance and inspection cycle: every month (1 or 2 packets)

For the instructions on the attractant, refer to the label on the Natechno-Lure BS Bag (attractant derived from natural ingredients).

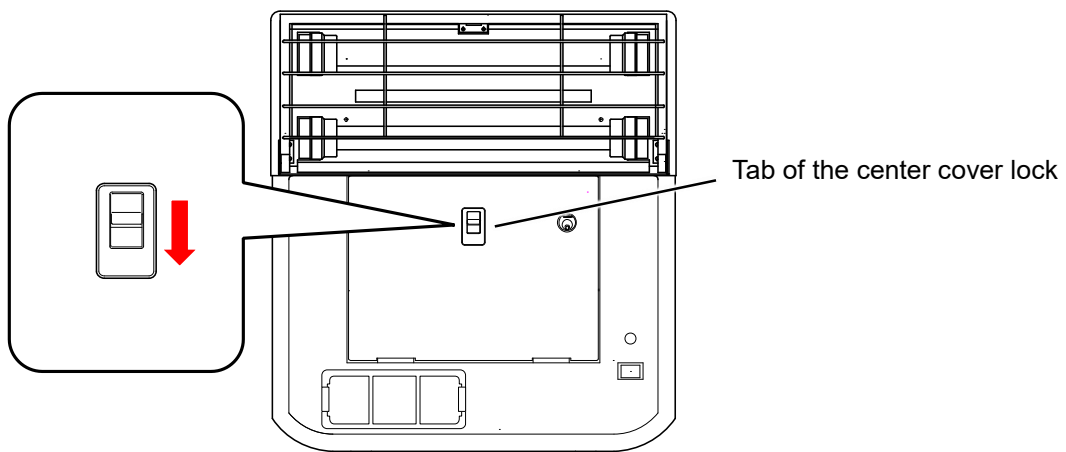
! WARNING		<ul style="list-style-type: none">• Turn OFF (O) the power switch and unplug the power plug from the socket before replacing the attractant.
NOTICE		<ul style="list-style-type: none">• Use the genuine attractant from IKARI SHODOKU (Natechno-Lure BS Bag).

Replacement method

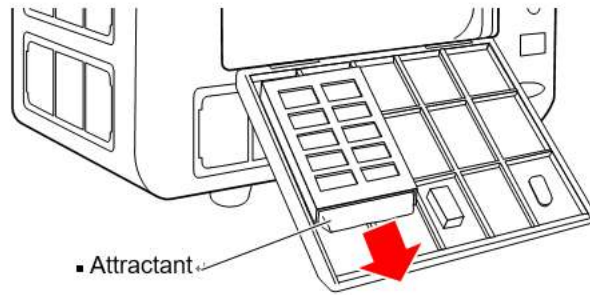
- 1 Insert the key into the keyhole on the center cover. Rotate the key counterclockwise to unlock.



- 2 Lower the tab of the center cover lock to unlock the center cover.

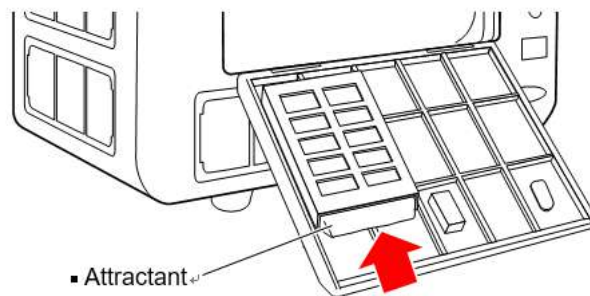


- 3 **Open the center cover toward the front, and then remove the old attractant from the attractant pocket on the back of the center cover.**



- 4 **Collect the removed attractant into a plastic bag with fastener and the like.**
- 5 **Set the new attractant (1 or 2 packets) in the attractant pocket.**

Note At this time, be careful not to tear the packet.





- 6 **Close the center cover while taking care not to pinch the insect trap bag.**

Note Check that the center cover is locked.

This completes the replacement of the attractant.

5.6 Replacement of the fuse

Maintenance and inspection cycle: when the fuse has blown

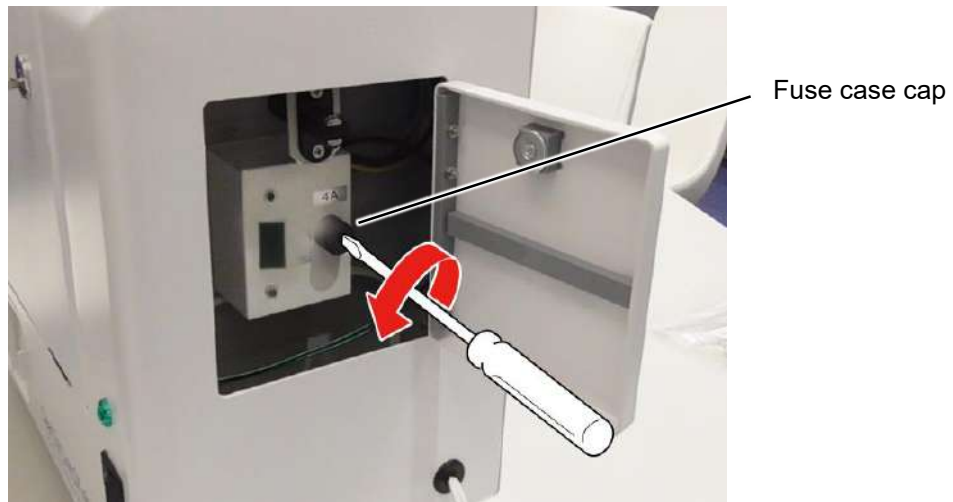
 WARNING	 • Turn OFF (O) the power switch and unplug the power plug from the socket before replacing the fuse.
--	--

Replacement method

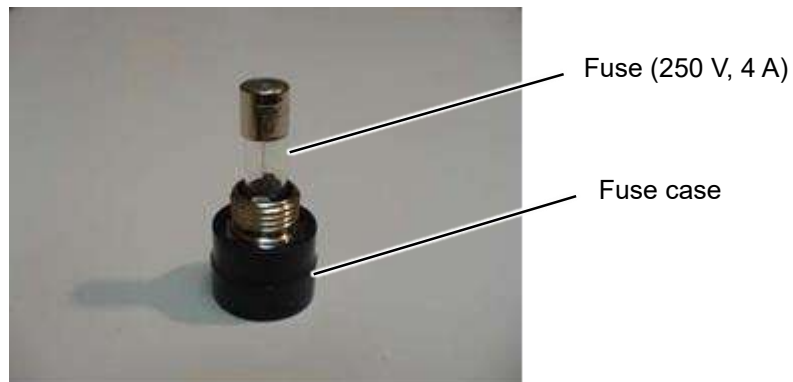
1 Open the control cover.

When you push the right edge of the cover until hearing a click and then release the cover, the cover is opened by a spring action. If the cover is held by the magnet, further open the cover toward the front.

2 Using a flathead screwdriver, rotate counterclockwise the fuse case cap to remove it.



3 Remove the old fuse from the fuse case, and then install the new fuse.



4 Insert the fuse and the fuse case into the fuse holder.

5 Using a flathead screwdriver, rotate clockwise the fuse case cap to tighten it.

6 Close the control cover.


To close the cover, push the right edge of the cover until you hear a click.

This completes the replacement of the fuse.

6 Troubleshooting

If a phenomenon described in the table below occurs during the operation of the product, refer to the causes and the countermeasures and properly address the issue.

If the issue is not resolved by taking the countermeasures described in the table below, or if a fault that is not described in the table below occurs, stop the operation and contact your local dealer.

NOTICE	 <ul style="list-style-type: none"> • If it is possible that the handling during the transportation was defective (for example, in the case when external damage to the packing box or deformation of the main unit was noticed during unpacking), contact the transport operator within one week after the arrival of the product and check the transport conditions. If the transport operator has not made any errors during handling, contact your local dealer.
---------------	---

No.	Phenomenon	Cause	Countermeasure
1	The fan does not operate and the lamp also does not light up when the switch is turned ON.	The plug is not inserted.	Check the socket. If the power plug is not correctly inserted, re-insert the plug.
		The power is not supplied.	Check that the electricity is supplied to the socket. Check if other devices can be used. Check that the circuit breaker of the original power supply is not tripped.
		The fuse has blown.	Open the control cover and check that the fuse has not blown. Refer to “5.6 Replacement of the fuse”.
2	The insect trap lamp does not light up when the switch is turned ON. (the fan operates)	The insect trap lamp is not firmly fitted into the fluorescent lamp sockets.	Check that the insect trap lamp is firmly fitted into the fluorescent lamp sockets. If the insect trap lamp is not firmly fitted, remove the insect trap lamp and then fit it again. Refer to “5.4 Replacement of the insect trap lamp”.
		The insect trap lamp is burnt out	If the insect trap lamp does not light up even after fitting it again, the insect trap lamp could be burnt out. In this case, replace it with a new insect trap lamp. Refer to “5.4 Replacement of the insect trap lamp”.

6 Troubleshooting

No.	Phenomenon	Cause	Countermeasure
2	The insect trap lamp does not light up when the switch is turned ON. (the fan operates)	The glow starter is burnt out or an internal fault occurs.	If the insect trap lamp does not light up even after the countermeasures above have been taken, the glow starter may be burnt out or an internal fault is possible. Contact your local dealer.
3	Abnormal sound or foreign odor occurs.	Fault in the fan or the electrical components	Immediately stop the operation and contact your local dealer.

7 Storage and Disposal of Product

7.1 Storage when the product is not operated for a long period

When the product is not operated for a long period, observe the following:

- Remove and store the attractant and the insect trap bag.
- Store the product in a location equivalent to the installation conditions described in “3.1.1 Precautions for installation”.
- Unplug the power plug from the socket.

When the product is operated after a long storage period, inspect the following:

- Check for any accumulation of dust or growth of mold. Especially, be careful of dirt on the insect trap lamp since it reduces the insect trapping effect.
- Set the new attractant, insect trap bag, and filter.

7.2 Disposal of the product

Remove the attractant, insect trap bag, filter, and insect trap lamp before discarding the product.

Comply with the administrative laws and regulations stipulated by the national or local government for disposal of the main unit and components of the product as well as consumables.

Never illegally dispose of the product to protect the environment.

8 List of Consumables and Optional Parts

When you order the consumables or the optional parts, check the product codes and product names listed in the table below before contacting your local dealer.

8.1 Consumables

Product code	Product name	Specifications	Remarks
3169	Insect trap lamp (10 W)	10 W	Two bulbs per 1 unit
2745	Shatter-proof insect trap lamp (10 W)	10 W, with shatter-proof film	Two bulbs per 1 unit
18953	Insect trap bag for Clean Eco Line GXmini (non-woven fabric)	Disposable type	Reference replacement cycle: every month
18943	Replacement filter for Clean Eco Line GXmini	Material: PET resin	Reusable after washing in water
18944	Filter frame for Clean Eco Line GXmini	Material: Resin	
18941	Metal fixtures of wall-mounted type Clean Eco Line GXmini	Material: Steel (powder coating)	
18788	Natechno-Lure BS Bag (attractant derived from natural ingredients) × 10	Attractant for flying insects (bamboo shoot extract)	Reference replacement cycle: every month

8.2 Optional parts

Product code	Product name	Specifications	Remarks
18939	Pole stand for Clean Eco Line GXmini	Base: Aluminum (with adjuster) Stand and pole: Steel Coating: Silver powder coating	
18975	Blindfold cover for Clean Eco Line GXmini	Material: Acrylic resin	
23363	Insect trap bag for Clean Eco Line GX II (with fastener)	Common insect trap bag for the GX series Reusable after washing in water	

Warranty and After-sales Service

Warranty

The warranty period is 1 year after the sale, excluding consumables such as the insect trap lamp.

Repair

If a malfunction occurs within the warranty period under normal operation conditions following the cautions in the Instruction Manual, the main unit labels, and so on, we offer repair free of charge.

Repair applicable to any of the following shall be charged even during the warranty period:

- Failure/damage caused by incorrect use or improper repair/modification.
- Failure/damage caused by a fall or similar event occurring after purchase.
- Failure/damage caused by fire, earthquake, flood, lightning, other natural disasters, pollution, abnormal power supply voltage, or use of an undesignated power supply, or similar cause.
- Consumables
- When the malfunction is caused by anything other than the product.
- Other failure/damage caused by usage that is not described in the Instruction Manual.

Retention period of repair parts

IKARI SHODOKU will retain the electric components for repairing the product for 6 years after the discontinuation of production. The electric components for repair include alternative parts with the same functions.

For more information on the after-sales service, contact your local dealer.

Warranty

This warranty offer repair free of charge for initial failure or malfunction in period within 1 year after the sale.

Produce Name: Clean Eco Line GXmini

Warranty Period: 1 year after the sale

◆ Customer address

Customer	Name:
	Address:
	Tel:

◆ For Dealer Use Only

Date of Purchase:
<Dealer (contact)>
Company Name:
Address:
Tel:

If there is no entry or seal in the upper column, please paste a document certifying the purchase (inside the warranty card) such as a receipt.

Revision history

Version	Revised date	Revised contents
Ver. 1.0	February, 2021	First edition

February, 2021. First edition published

Manufactured and
distributed by

IKARI SHODOKU CO., LTD.

Main office

11th floor Agri Square Shinjuku, 5-27-11
Sendagaya, Shibuya City, Tokyo 151-0051
TEL: +81-3-3356-6191
FAX: +81-3-3350-1405
<http://www.ikari.co.jp>